

# BOOMBOX NA4/NA8

## COBRANET® AMPLIFIERS

The BoomBox CobraNet® Audio Interface is a cost-effective multi-channel networked power amplifier for paging and background music applications. Available in both four and eight channel versions, each channel can amplify either of two received CobraNet® audio streams. Each channel has its own volume control, and both signal routing and volume are controllable over the network. The BoomBox can be powered by either PoE, PoE+, or by an external +12V - 24V DC supply.



## FEATURES AND BENEFITS

- Four power amplifier channels (NA4) or eight power amplifier channels (NA8)
- Volume control per channel, network controllable
- Simple setup using Attero Tech Control Center
- Accepts two CobraNet® audio channels, selectable over the network
- Powered by PoE, PoE+, or external DC. When powered by PoE/PoE+, maximum output power is automatically limited based on available power
- Speaker connections on 2-pin depluggable connectors
- Enclosure size is 1.5"H x 7.25"W x 6.5"D

## APPLICATIONS

- Small, cost-effective power amplifier for:
  - Paging applications
  - Background Music System
- Desk-mounted speakers

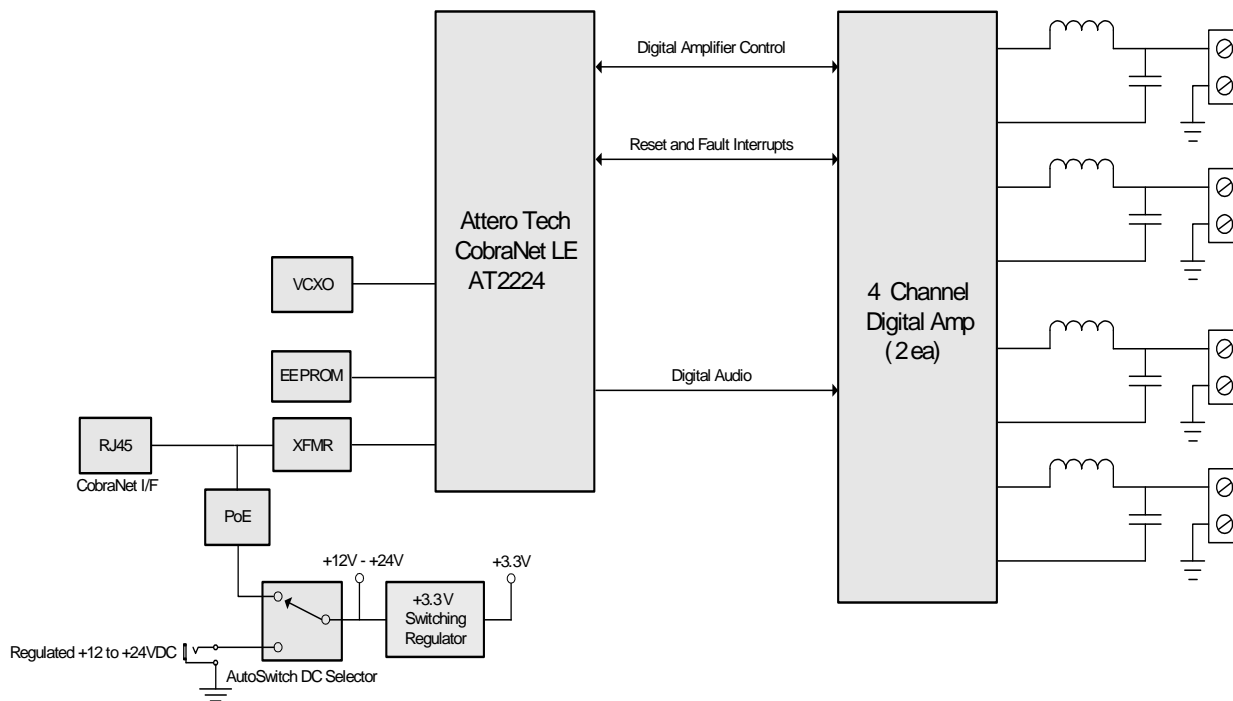
## ABOUT ATTERO TECH

Attero Tech is a leading provider of CobraNet® audio interfaces. These innovative networked audio products make it cost effective for audio installations to include CobraNet®. Attero Tech is headquartered in Fort Wayne, Indiana. Contact us at:

260.496.9668

[www.atterotech.com](http://www.atterotech.com)

BoomBox NA8 – 8 Single Ended Speaker Outputs  
 BoomBox NA4 – 4 Bridged Speaker Outputs



## SPECIFICATIONS

<b>Number of Output Channels:</b>	BoomBox NA4: 4 BoomBox NA8: 8
<b>Output Power:</b>	Based on power source – see below
<b>NA8 with 802.3af PoE</b>	1W/channel
<b>NA8 with 802.3at PoE or DC</b>	2W/channel
<b>NA4 with 802.3af PoE</b>	2W/channel
<b>NA4 with 802.3at PoE or DC</b>	4W/channel
<b>THD:</b>	<.1% @ 1kHz, full power
<b>Output Noise:</b>	<-75dBu
<b>PoE Class:</b>	Class 4, will operate correctly with 802.3af or 802.3at
<b>Power Consumption:</b>	<30W
<b>Dimensions:</b>	7.5"W x 1.75"H x 5.0"D
<b>Operating Temperature:</b>	0 °C - 40 °C

## ARCHITECTS & ENGINEERS SPECS

The CobraNet® interface unit shall provide either four or eight channels of speaker level audio amplification. Each channel shall be capable of reproducing either of two CobraNet® audio channels that the interface can receive. Each channel shall support volume control. The internal digital to analog signal conversion shall be performed at 16-bit resolution with a sampling frequency of 48 kHz. The CobraNet® interface unit shall receive power over the Ethernet cable from an 802.3af or 802.2at PoE compliant network switch, or from a +12V DC to +24V DC external power supply (autoswitching).

The CobraNet® interface shall be compatible with Attero Tech Control Center software monitoring in system applications. The CobraNet® interface shall be compliant with the RoHS directive

The CobraNet® interface shall be Attero Tech BoomBox NA4 (four channels) or the Attero Tech BoomBox NA8 (eight channels).