

InBox M3 Overview

The InBox M3 CobraNet Audio Interface is a cost effective multi-input wall box. The M3 features a balanced XLR input, a pair of RCA inputs, and a stereo minijack input. All five inputs can be used simultaneously and all audio channels are available separately. The M3 is designed to fit into most dual gang junction boxes and is PoE enabled, so all connectivity (power and data) is provided by a single CAT-5 cable.

Applications

Convenient, wall mounted mic/line input drops for:

- Hotel ballrooms
- Conference/meeting centers
- Conference rooms
- Sports facilities
- Convention centers

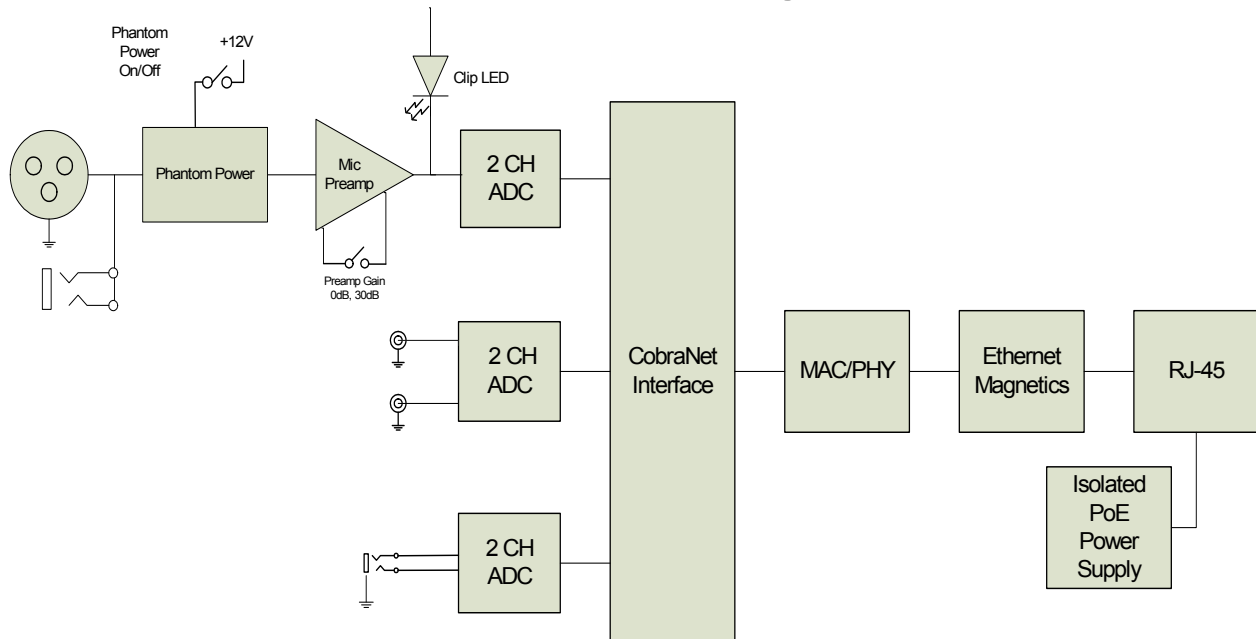
Features

- One XLR/TRS balanced input featuring mic/line switch and clipping LED
- Two unbalanced RCA input connectors
- One 1/8" 3.5 mm stereo jack
- PoE powered from a standard PoE network switch
- Enclosure size is 3.60"W x 2.75"H x 1.88"D (excluding projections – See User Manual for complete mechanical details)



CobraNet[®] is a registered trademark of Cirrus Logic, Inc.

InBox M3 Block Diagram



Specifications in Brief:

Mic/Line Input Type:	Balanced and RF Filtered XLR/TRS
Phantom Power:	+12 V, switchable
Input Impedance:	2 k Ω in Mic mode, 120 k Ω in Line mode
Mic Gain:	+30 dBu
EIN (Mic mode):	-108 dBu
Freq. Response (Mic gain):	50 Hz - 20 kHz, +/- 1 dB
Input Impedance (RCA/3.5mm):	>10 k Ω
System THD (any input):	<0.05 %, 1 kHz, 3 dB below input clipping
Inputs:	1 non-latched female XLR/TRS Combo connectors, 2 RCA, 3.5 mm stereo jack
Clip LEDs:	Yellow @ -6 dB below clipping, Red @ clipping
PoE Class:	Class 2 802.3af PoE PD Compliant
Power Consumption:	4 W
Dimensions:	3.60"W x 2.75"H x 1.88"D (excluding projections - See User Manual for complete mechanical details)
Operating Temperature:	0 °C - 40 °C

Architects & Engineers Specification

The CobraNet interface unit shall provide one mic/line analog input on the front panel with XLR and TRS connectors. A selectable gain of 0 dB or +30 dB and +12 V phantom power option shall be provided via front panel switches for each analog input channel. The unit shall provide one stereo line level input with RCA connectors and one stereo line level input with a 3.5 mm stereo connector. All inputs shall be able to be used simultaneously. The internal analog to digital signal conversion shall be performed at 24-bit resolution with a sampling frequency of 48 kHz or 96 kHz. The CobraNet interface unit shall receive power over the Ethernet cable from an 802.3af PoE compliant network switch. The CobraNet interface shall be wall mounted in a standard dual gang junction box.

The CobraNet interface shall be compatible with Atterotech Control Center software for flexible control and monitoring in system applications. The CobraNet interface shall be compliant with the ROHS directive.

The CobraNet interface shall be the Atterotech InBox M3.