

InBox X2 Overview

The InBox X2 CobraNet Audio Input Interface is a cost effective two input, mic/line level wall box. The X2 features switchable mic/line gain, switchable +12 V phantom power, and clipping indicators for each channel. The X2 is designed to fit into most dual gang junction boxes and is PoE enabled, so all connectivity (both power and audio data) to the X2 is provided by a single CAT-5 cable.

Applications

Convenient, wall mounted mic/line input drops for:

- Hotel ballrooms
- Conference/meeting centers
- Conference rooms
- Sports facilities
- Convention centers

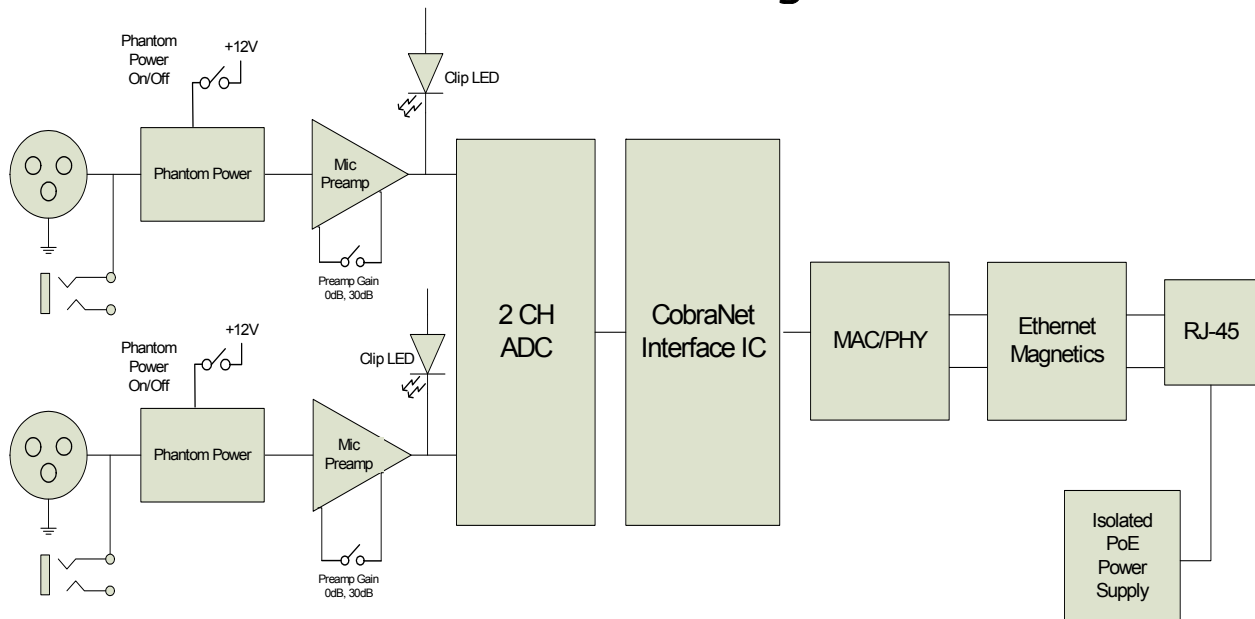
Features

- Two balanced female XLR/TRS combo input connectors
- Mounts in a standard dual gang junction box
- Input gain selection for line (0 dB) and mic (+30 dB), switchable per channel
- +12 V Phantom Power, switchable per channel
- Bicolor (yellow/red) clipping indicators for -6 dB below full scale and clipping per channel
- PoE powered from a standard PoE network switch
- Enclosure size is 3.60"W x 2.75"H x 1.88"D (excluding projections - See User Manual for complete mechanical details)



CobraNet[®] is a registered trademark of Cirrus Logic, Inc.

InBox X2 Block Diagram



Specifications in Brief:

Mic/Line Input Type:	Balanced and RF Filtered XLR/TRS
Phantom Power:	+12V, switchable
Input Impedance:	2kΩ in Mic mode, 120kΩ in Line mode
Mic Gain:	+30dBu
EIN (Mic mode):	-109dBu
Freq. Response (Mic gain):	50Hz-20kHz, +/- 1dB
Freq. Response (Line gain):	20Hz-20kHz, +/- 1dB
Max. Input Level	+8dBu without clipping
System THD (any input):	<0.05%, 1kHz, 3dB below input clipping
Inputs:	2 non-latched female XLR/TRS Combo connectors
Clip LEDs:	Yellow @ -6dB below clipping, Red @ clipping
Power Consumption:	4W
PoE Class:	Class 2 802.3af PoE PD Compliant
Dimensions:	3.60"W x 2.75"H x 1.88"D (excluding projections - See User Manual for complete mechanical details)
Operating temperature	0°C-40°C

Architects & Engineers Specification

The CobraNet interface unit shall provide two mic/line analog inputs on the front panel with XLR and TRS connectors. A selectable gain of 0 dB or +30 dB, and +12 V phantom power option shall be provided via front panel switches for each analog input channel. The internal analog to digital signal conversion shall be performed at 24-bit resolution with a sampling frequency of 48 kHz or 96 kHz. The CobraNet interface unit shall receive power over the Ethernet cable from an 802.3af PoE compliant network switch. The CobraNet interface shall be wall mounted in a standard dual gang junction box.

The CobraNet interface shall be compatible with Atterotech Control Center software for flexible control and monitoring in system applications. The CobraNet interface shall be compliant with the RoHS directive.

The CobraNet interface shall be the Atterotech InBox X2.